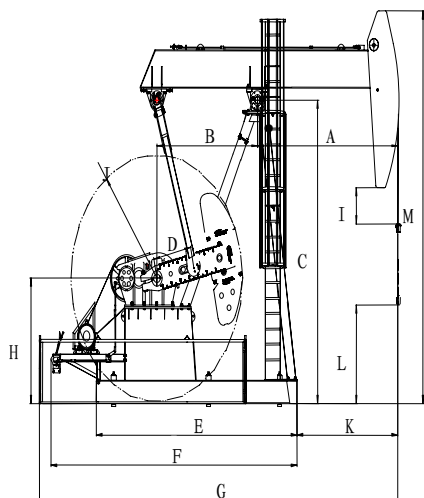


C320D-256-120



General dimension (in)													
A	B	C	D	E	F	G	H	I	J	K	L	M	
155	111	232	42	222	271	396	96	27	94	112	76	302	
General data													
Model								C320D-256-120					
Polish Rod Capacity(lbs)								25600					
Stroke Lengths(in)								120	102	85			
Strokes Frequency(min ⁻¹)								6	9	12			
Balance Mode								Crank balance					
Gear box	Model							JS-320					
	Reducer Ratio							31.15					
	Peak Torque Rating(lbs .in)							320000					
Motor	Model							Y250M-6					
	Power(kW)							37					
	Rotational speed(r/min)							980					
Structural unbalance(lbs)								-141					
Outline Dimensions (Length×Width×Height) (in×in×in)								383×83×302					
Total weight(lbs)								30538					
Counter balance effect(lbs)				four #12 counter weights				15657					
				four #13 counter weights				18266					
Weight of four #12 counter weights(lbs)								8466					
Weight of four #13 counter weights(lbs)								10573					
Note :the total weight excluding counter weights ;the outline dimensions excluding crank guards													