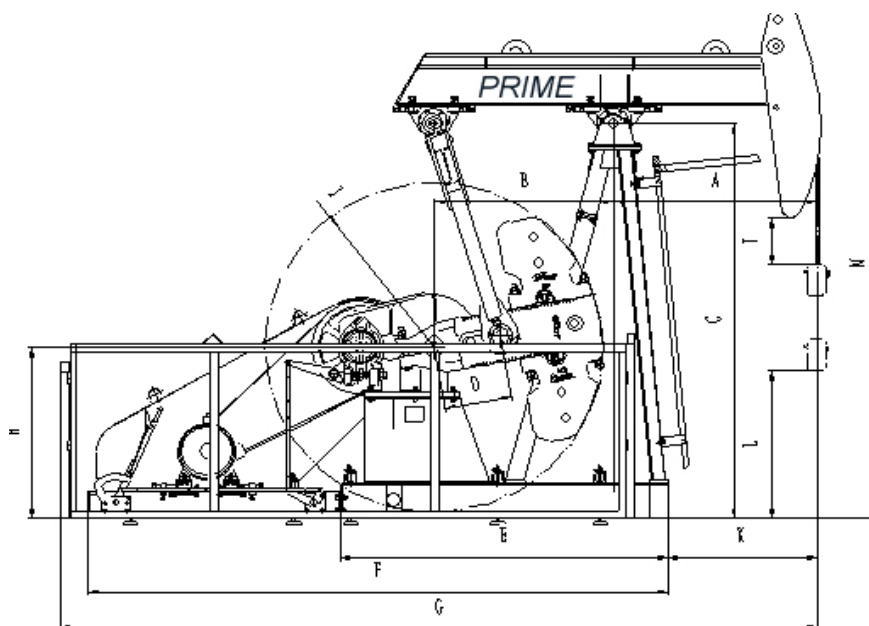


C40D-89-42



General dimension (in)												
A	B	C	D	E	F	G	H	I	J	K	L	M
54	48	108	18	87	155	202	47	13	45	42	40	140
General data												
Model								C40D-89-42				
Polish Rod Capacity(lbs)								8900				
Stroke Lengths(in)								42 33 24				
Strokes Frequency(min ⁻¹)								9 12 14				
Balance Mode								Crank balance				
Gear box	Model							JS-40				
	Reducer Ratio							31.73				
	Peak Torque Rating(lbs .in)							40000				
Motor	Model							YCH180-6				
	Power(kW)							11				
	Rotational speed(r/min)							1000				
Structural unbalance(lbs)								+175				
Outline Dimensions (Length×Width×Height) (in×in×in)								197×59×140				
Total weight(lbs)								7390				
Counter balance effect(lbs)				four # 01 counter weights				5219				
				four #02 counter weights				6119				
Weight of four #01 counter weights(lbs)								2240				
Weight of four #02 counter weights(lbs)								3122				
Note :the total weight excluding counter weights ;the outline dimensions excluding crank guards												